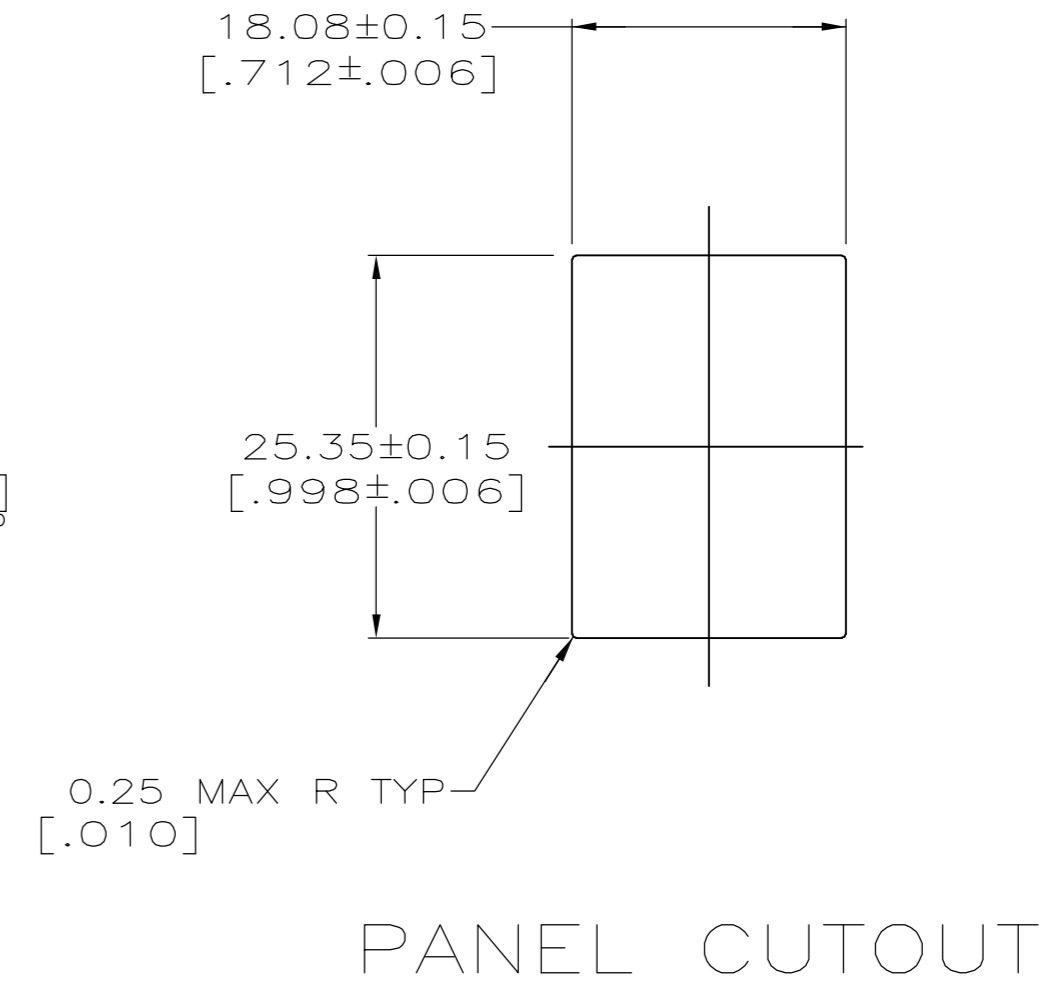
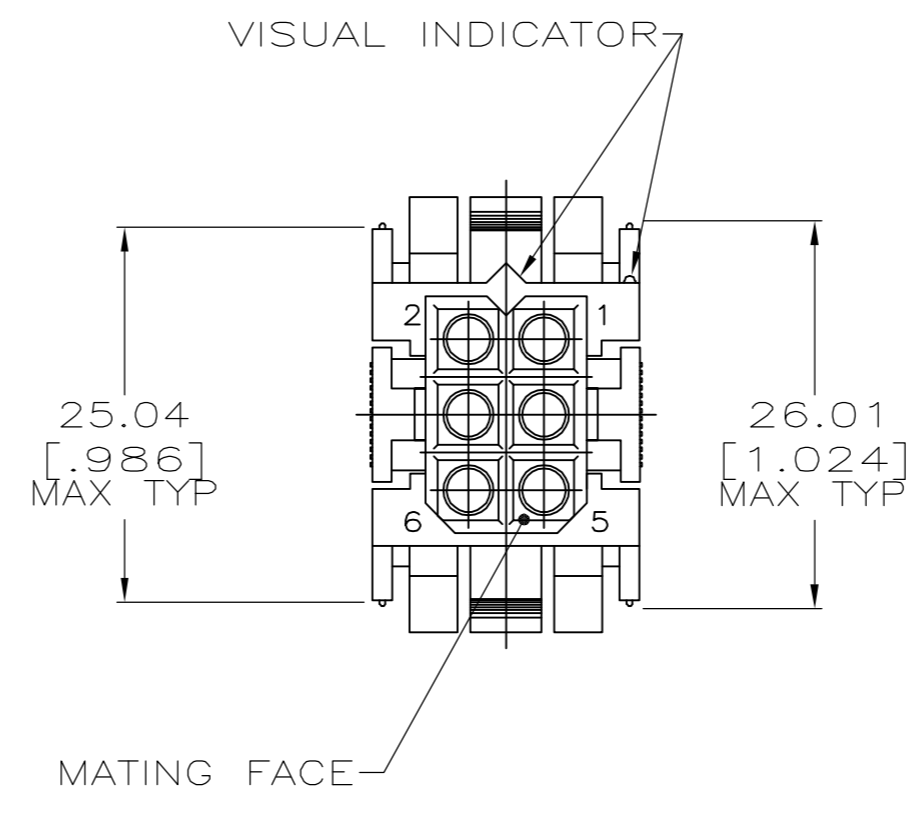
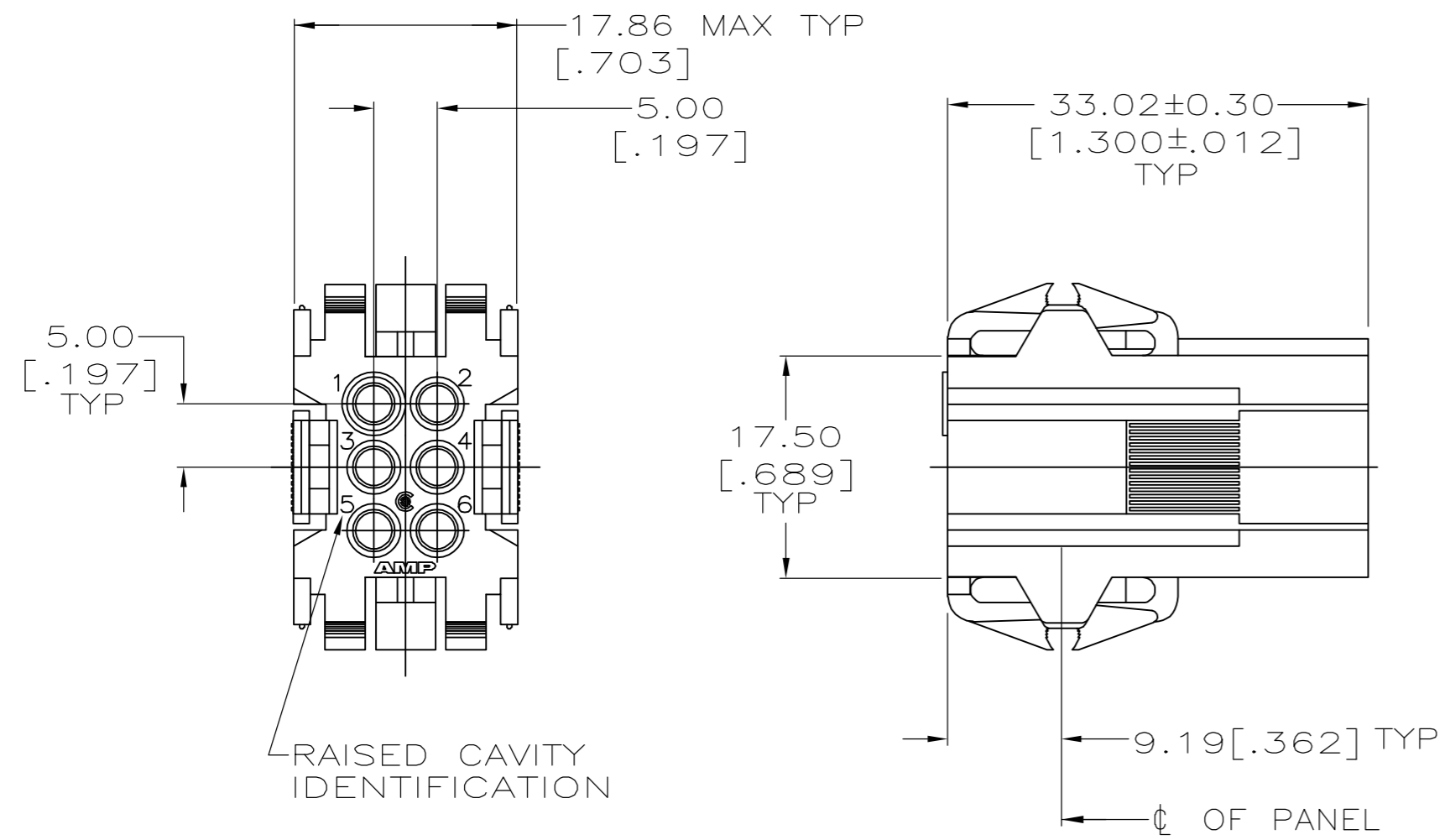


THIS DRAWING IS UNPUBLISHED. RELEASED FOR PUBLICATION
 © COPYRIGHT BY TYCO ELECTRONICS CORPORATION. ALL RIGHTS RESERVED.

LOC		DIST		REVISIONS			
P	LTR	DESCRIPTION		DATE	DWN	APVD	
	R1	REVISED PER ECO-07-001869		2/2/07	SS	GS	



- 1. PANEL RETENTION MECHANISM ACCOMMODATES PANEL THICKNESSES FROM 0.76[.030] TO 2.29[.090].
- 2. SAME AS 207153-1 EXCEPT: ROUNDED EDGES ON THE OUTSIDE OF THE HOUSING AND A 45° ANGLE ON THE OUTSIDE OF THE HOUSING BY THE LOCKING LATCHES, REF 927673.
- 3. OBSOLETE PART NUMBER.

3	2	207153-2
		207153-1
PART NUMBER		

THIS DRAWING IS A CONTROLLED DOCUMENT.		DWN	W.LENKER	08/26/92	tyco Electronics	Tyco Electronics Corporation	
DIMENSIONS: mm [INCHES]		CHK	R.STONE	8-31-92		Harrisburg, PA 17105-3608	
TOLERANCES UNLESS OTHERWISE SPECIFIED:		APVD	-	-	NAME		HOUSING, RECEPTACLE, 6 POSITION, METRIMATE
0 PLC ± -		PRODUCT SPEC		108-10033			
1 PLC ± -		APPLICATION SPEC		-		SIZE	A2
2 PLC ± 0.25 [.010]		WEIGHT		-		CAGE CODE	00779
3 PLC ± -		CUSTOMER DRAWING		SCALE		DRAWING NO	C=207153
4 PLC ± -		FINISH		-		SHEET	1 of 1
ANGLES ± -		MATERIAL		NYLON, COLOR: RED		REV	R1
FINISH		-		-		RESTRICTED TO	